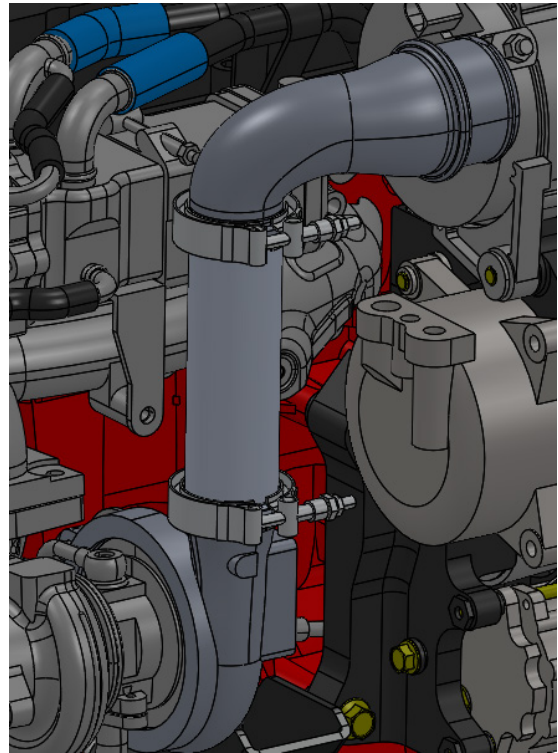
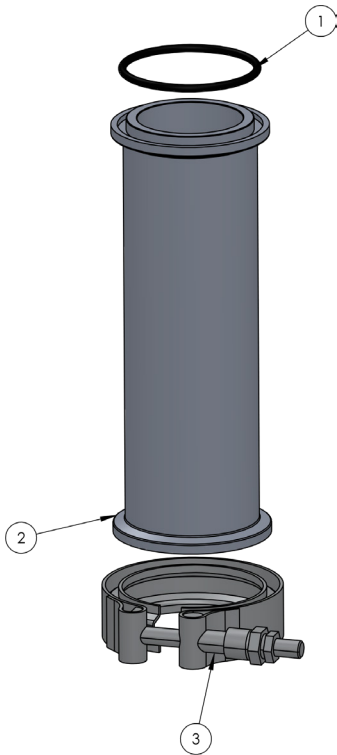




R2.8 TURBO OUTLET RISER, 6" KIT

IMPORTANT: Thank you for purchasing a product from Axis Industries USA. We ask that you read through this entire document before proceeding with the installation. If you are not confident in your skills, please seek help from a professional to perform the installation. Upon arrival check your packages immediately to ensure that everything listed is included, and there is no damage from shipping. If anything is missing or damaged, or if you need technical assistance with the installation, call Axis Industries at 317-739-3390.

ITEM	PART No.	DESCRIPTION	QTY
1	100363	R2.8 Turbo Riser O Ring	1
2	100362B	R2.8 Turbo Outlet Riser, 6"	1
3	100364	R2.8 Turbo Outlet Vband Clamp	1



GENERAL INFORMATION:

Remove turbo outlet elbow. Install the O Ring(1) to turbo outlet riser. Install turbo outlet riser(2). Mount and adjust the turbo outlet elbow to desired position. Use provided Vband(3) and existing Vband to secure riser and outlet into place.