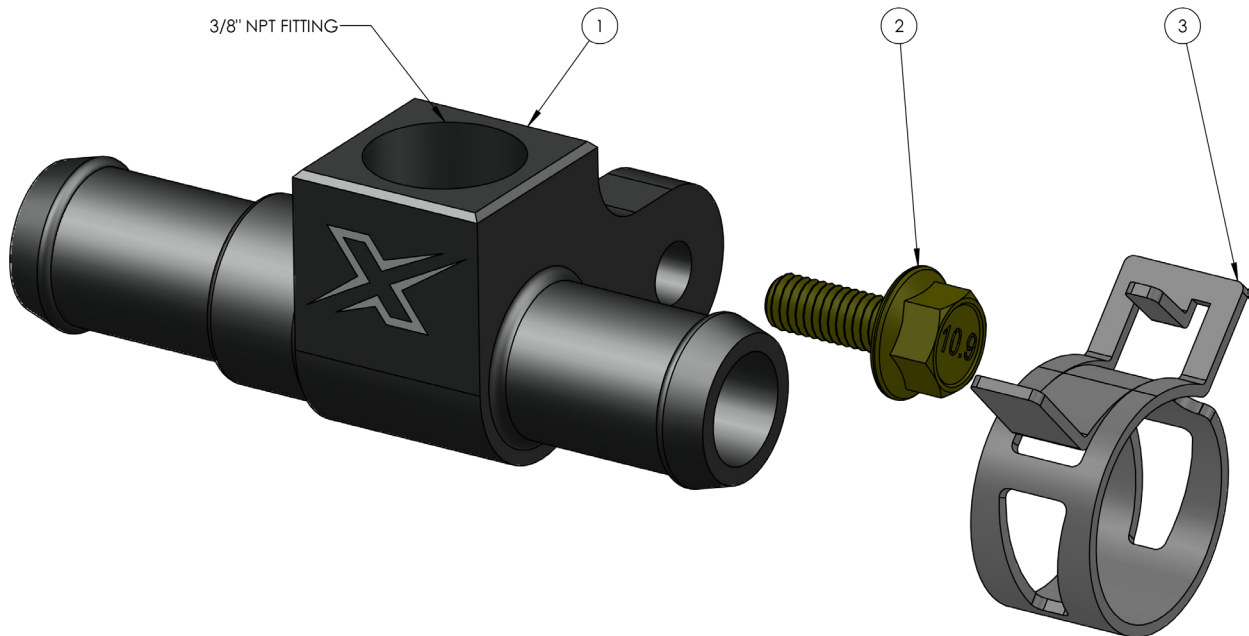




R2.8 COOLANT TEMP SENSOR FITTING KIT, 3/8" NPT

IMPORTANT: Thank you for purchasing a product from Axis Industries USA. We ask that you read through this entire document before proceeding with the installation. If you are not confident in your skills, please seek help from a professional to perform the installation. Upon arrival check your packages immediately to ensure that everything listed is included, and there is no damage from shipping. If anything is missing or damaged, or if you need technical assistance with the installation, call Axis Industries at 317-739-3390.

ITEM	PART No.	DESCRIPTION	QTY
1	100081	R2.8 Coolant Temp Sensor Fitting, 3/8 NPT	1
2	100554	M6x1, 16MM Long	1
3	100555	Constant Band Clamp, 24	1



GENERAL INFORMATION:

Remove factory heater hose fitting and discard. Install the coolant temperature fitting(1) with the supplied bolt (2). A new constant band clamp(3) is provided to clamp a 5/8" heater hose to the other end.